



READ AND SAVE THESE INSTRUCTIONS

**INSTRUCTIONS FOR MOUNTING INTEGRATED LIGHT FIXTURE
K4, K4B, K4BR, K4S, KG4T**

WARNING: To reduce the possibility of electrical shock be sure that the power is turned off at its source(fuse or circuit breaker). All electrical components must be installed in accordance with national and local electrical codes. To reduce the risk of fire and electrical shock, this light fixture should be used only with UL, ETL & CUL Certified Casablanca ceiling fans.

IMPORTANT: Before discarding any packing material locate the following items:

Fixture	Light Bulb(s)	Dimensions (w/glass)	Weight
K4	4-60W A15 Med. Base	7" h x 20" w	2 lbs
K4B	4 - 50w "R" Reflector	6 1/4" h x 10 to 19" w	3 lbs
K4BR	4 - 50w "R" Reflector	7" h x 11 to 19" w	2 lbs
K4S	4 - 60w A15 Med. Base	6" h x 20 1/2" w	2 lbs
KG4T	4 - 60w A15 Med. Base	5 1/2" h x 17 1/2"w	4 lbs

INSTALLATION

For fan models ending in A, D, M, R, T, V, W: (For K4BR — See Step 10 First!!)

1. Remove the cover from fan by removing two brass 8-32 screws and save these screws for attaching light fixture. Remove plastic wire nuts from switch housing wires and strip 1/2" insulation from both wires (black or blue, and white). This cover will not be reused. See FIG. 1

NOTE: If installing this light fixture on a 3 Speed pull-chain model fan, a separate pull-chain switch (included with the fan) must be installed. Refer to the following installation instructions, otherwise skip to step 4.

2. Remove the plastic plug from the fan switch housing. Install the light on-off switch by inserting the chain through hole, from the inside. Pass the switch threads into the hole and screw the knurl nut onto the switch. Hand tighten firmly. See FIG. 2

3. Attach the blue wire from the fan to one of the blue wires on the switch by twisting the bare ends of the wires together. Secure the splice by threading on one of the wire nuts provided. Test the secureness of the splice by pulling on the wire nut.

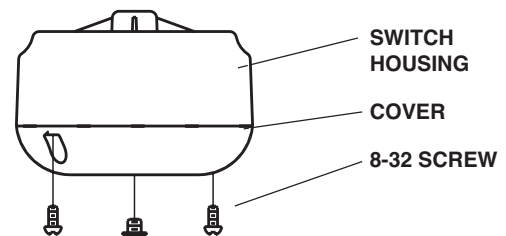


FIG. 1

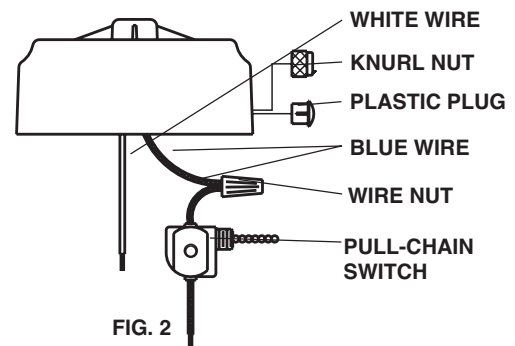


FIG. 2

4. While holding light fixture up to the fan, attach the wires from the fan switch housing and the wires from the light fixture together (black-to-black or blue-to-black and white-to-white) by twisting the bare ends of the wires together. Then secure the splices by threading on the wire nuts provided. Test the secureness of each splice by pulling on the wire nut. See FIG. 3

5. Attach the light fixture to the fan switch housing using the two brass 8-32 screws, insuring guide pins are properly located into fan switch housing.

Caution: Make sure no wires are pinched between light fixture and switch housing. Tighten the screws to secure light fixture.

6. Install glass if applicable. (not included except for KG4T). Loosen the thumbscrews on each shadeholder align glass inside shadeholder as far as it will go and tighten thumbscrews equally around the glass. Make sure glass is snug and locked down tight so that the glass will not rattle when the fan is in operation.

7. Install the light bulbs. **Do not exceed the maximum wattage indicated on the light fixture.**

8. Connect fob chain to light pull chain.

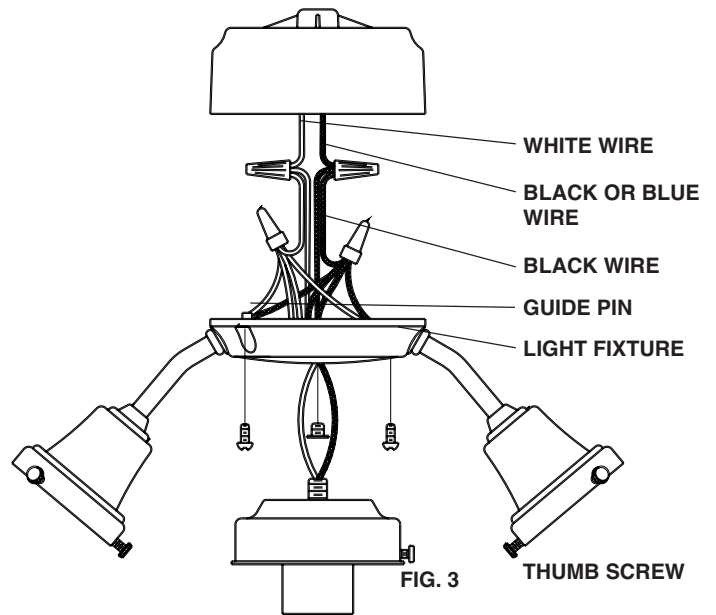
9. Installing glass on KG4T:

- a. Remove socket locking ring from the socket. Set aside.
- b. Install glass shade by aligning the longer edge of the glass at the top and installing socket locking ring onto socket. Turn until glass is snug against the shadeholder and socket locking ring is tight.

10. Installing glass on K4BR:

(Do this step before installing on fan)

- a. Install rings onto end of bullet shade by first removing the screws, align rings with holes in shade and re-install screws.
- b. Tighten screws with a screwdriver until snug.
- c. Return to Step 1.



OPTIONAL:
IF CENTER LIGHT DESIRED
SEE THE INSTRUCTIONS
INCLUDED WITH THE K2
LIGHT FIXTURE

